



DEPARTMENT OF REGULATORY AND ECONOMIC RESOURCES (RER)
BOARD AND CODE ADMINISTRATION DIVISION

MIAMI-DADE COUNTY
PRODUCT CONTROL SECTION

11805 SW 26 Street, Room 208

Miami, Florida 33175-2474

T (786) 315-2590 F (786) 315-2599

www.miamidade.gov/economy

NOTICE OF ACCEPTANCE (NOA)

Ventco Inc.
115 Lismore Avenue
Glenside, PA. 19038

SCOPE:

This NOA is being issued under the applicable rules and regulations governing the use of construction materials. The documentation submitted has been reviewed and accepted by Miami-Dade County RER - Product Control Section to be used in Miami Dade County and other areas where allowed by the Authority Having Jurisdiction (AHJ).

This NOA shall not be valid after the expiration date stated below. The Miami-Dade County Product Control Section (In Miami Dade County) and/or the AHJ (in areas other than Miami Dade County) reserve the right to have this product or material tested for quality assurance purposes. If this product or material fails to perform in the accepted manner, the manufacturer will incur the expense of such testing and the AHJ may immediately revoke, modify, or suspend the use of such product or material within their jurisdiction. RER reserves the right to revoke this acceptance, if it is determined by Miami-Dade County Product Control Section that this product or material fails to meet the requirements of the applicable building code.

This product is approved as described herein, and has been designed to comply with the Florida Building Code including the High Velocity Hurricane Zone of the Florida Building Code.

DESCRIPTION: ProfileVent for Metal Roofs

LABELING: Each unit shall bear a permanent label with the manufacturer's name or logo, city, state and following statement: "Miami-Dade County Product Control Approved", unless otherwise noted herein.

RENEWAL of this NOA shall be considered after a renewal application has been filed and there has been no change in the applicable building code negatively affecting the performance of this product.

TERMINATION of this NOA will occur after the expiration date or if there has been a revision or change in the materials, use, and/or manufacture of the product or process. Misuse of this NOA as an endorsement of any product, for sales, advertising or any other purposes shall automatically terminate this NOA. Failure to comply with any section of this NOA shall be cause for termination and removal of NOA.

ADVERTISEMENT: The NOA number preceded by the words Miami-Dade County, Florida, and followed by the expiration date may be displayed in advertising literature. If any portion of the NOA is displayed, then it shall be done in its entirety.

INSPECTION: A copy of this entire NOA shall be provided to the user by the manufacturer or its distributors and shall be available for inspection at the job site at the request of the Building Official.

This NOA renews NOA# 12-0724.03 and consists of pages 1 through 4.
The submitted documentation was reviewed by Alex Tigera.



NOA No.: 17-0821.09
Expiration Date: 11/29/22
Approval Date: 11/22/17
Page 1 of 4

ROOFING COMPONENT APPROVAL

Category: Roofing
Sub-Category: Ventilation
Material: Plastic
Minimum Slope: 3:12

TRADE NAMES OF PRODUCTS MANUFACTURED OR LABELED BY APPLICANT

<u>Product</u>	<u>Dimensions</u>	<u>Test Specification</u>	<u>Product Description</u>
ProfileVent	Ht. = 1" Width = 3" Lengths = 20' roll 50' roll 100' roll 500' roll	TAS 100(A)	Plastic low profile attic ridge vent consisting of a two layer composite consisting of a nylon-polyester, for installation in shingle roof systems.

TRADE NAMES OF PRODUCTS MANUFACTURED BY OTHERS:

<u>Product</u>	<u>Dimensions</u>	<u>Test Specification</u>	<u>Product Description</u>	<u>Manufacturer</u>
Hex Head Screw with Weather Seal Washer	Min #14 x 2"	TAS114	Corrosion resistant, hex head screw with weather seal washer.	Generic

MANUFACTURING LOCATION

1. Wrens, GA.

EVIDENCE SUBMITTED

<u>Test Agency/Identifier</u>	<u>Name</u>	<u>Report</u>	<u>Date</u>
Architectural Testing	71302.02-109-18	TAS-100(A)	09/25/07
Intertek	H6999.01-106-18R0	ASTM D635 ASTM D 2843	11/08/17



NOA No.: 17-0821.09
Expiration Date: 11/29/22
Approval Date: 11/22/17
Page 2 of 4

APPROVED APPLICATIONS:

Trade Name: ProfileVent

System Type A: Mechanical attachment of static ridge vent over metal roof panels and under Metal roof ridge cap.

- Installation:**
1. Allow a 3" opening centered in the deck at the ridge for ventilation. The slot shall terminate approximately 12" from the rake edges.
 2. Rollout ProfileVent along ridge about ½" to 1" up-slope from edge of metal roof ridge cap from gable to gable.
 3. ProfileVent can be cut with scissors or utility knife.
 4. When splicing ProfileVent make the splice at the center top of the high rib and use caulk or sealant along the splice
 5. Fasten the metal roof ridge cap according to the metal roof manufacturer's instructions; but in no case shall it be less than a #14 x 2" corrosion resistant hex head screw with a weather seal washer fastened at a maximum spacing of 9" o.c. along both sides of metal roof ridge cap and through each rib of the metal roof panel.

Net Free Area: Refer to Manufacturer's Published Literature

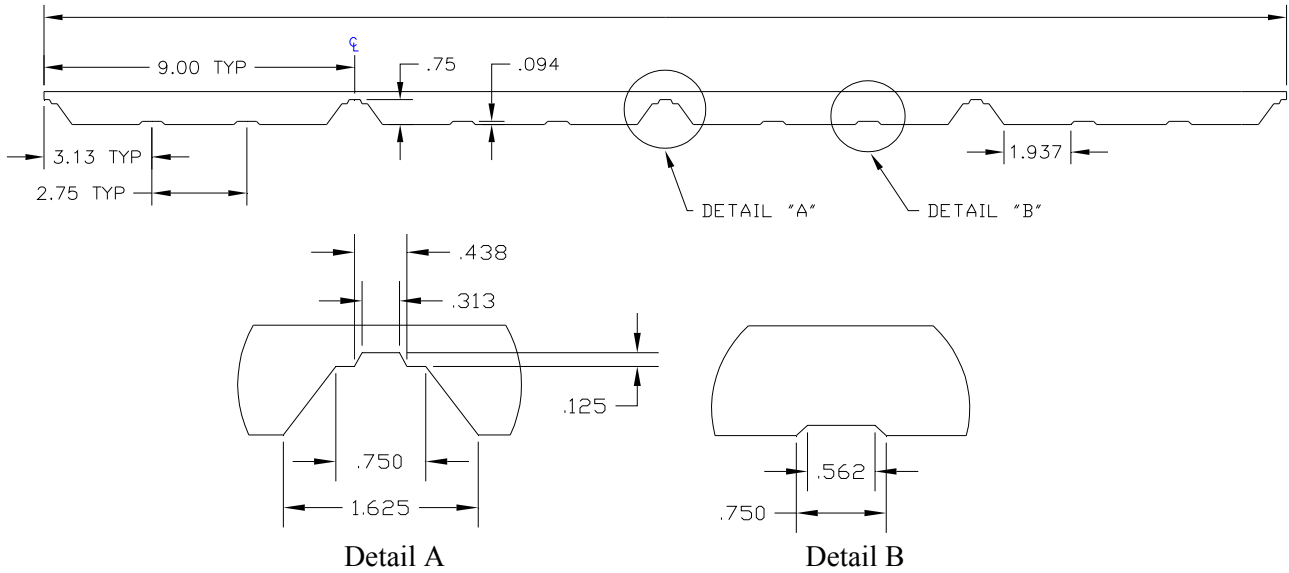
Minimum Slope: 3:12

LIMITATIONS:

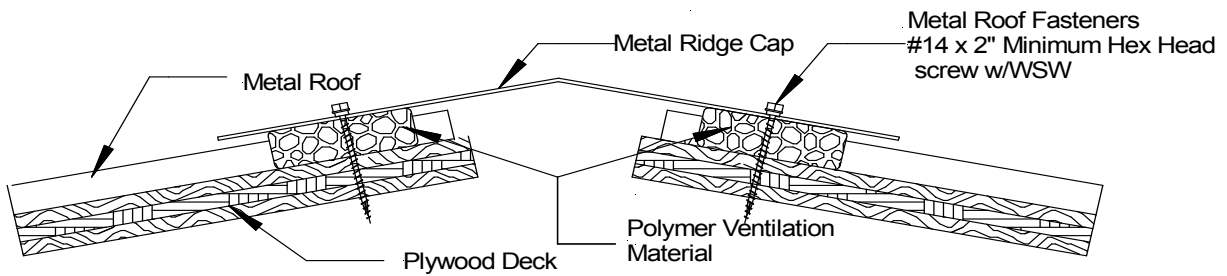
1. Refer to applicable Building Code required ventilation.
2. Ridge Vent shall comply with applicable Building Code.
3. Ridge Vent shall not be installed on roof mean heights greater than 33 feet.
4. All products listed herein shall have a quality assurance audit in accordance with the Florida Building Code and Rule 61G20-3 of the Florida Administrative Code.



DETAIL A
Various lengths

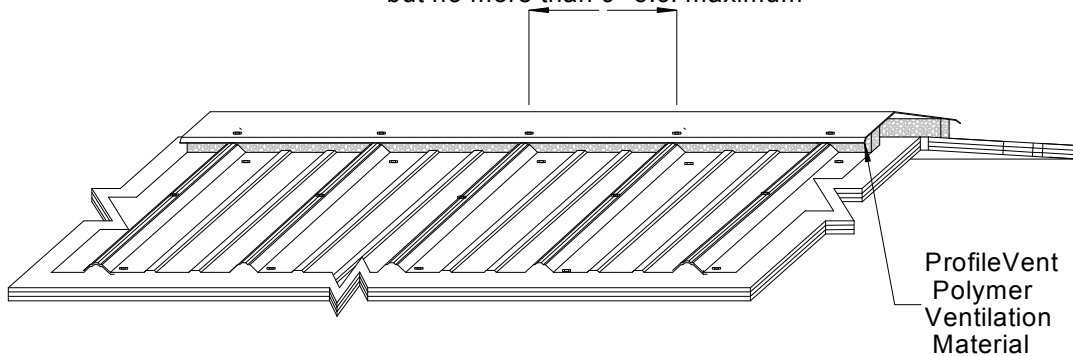


INSTALLATION DETAILS



End View

Per Metal Roof
Manufacturers Instructions
but no more than 9" o.c. maximum



Isometric View

END OF THIS ACCEPTANCE

